

BELL Table Lamp Essential Version



MODEL: KT-W01E

VERSION: V0

DATE: Jan. 15, 2019

COMPANY

SHENZHENSHI KAIXIN GUANGDIAN CO., LTD
SHENZHEN LINKLITE SMART LIGHTING CO., LTD



ADDRESS

RM# 909, Software Building, No. 9 Gaoxin Zhong Yi Road, High-Tech Park,
Nanshan district, Shenzhen, Guangdong, China, 518057

FEATURES

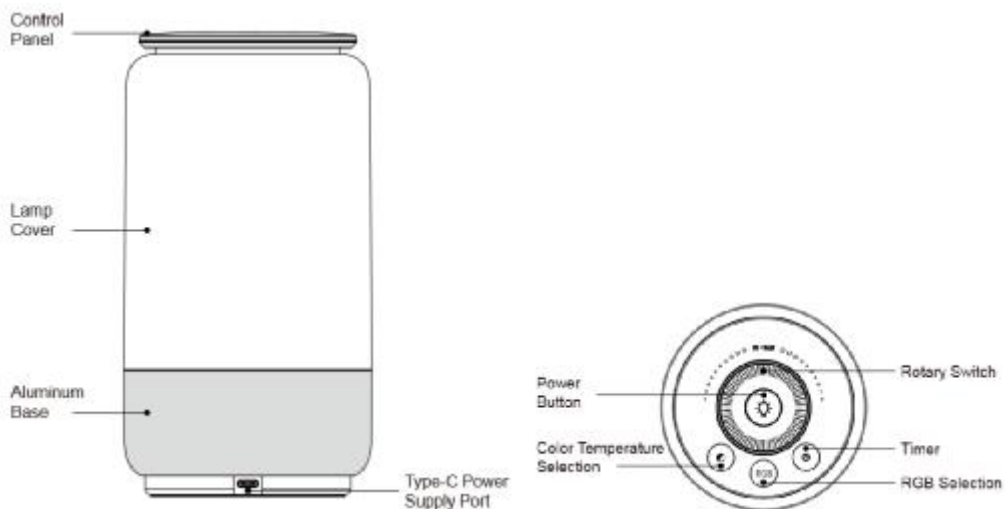
- I COMFORTABLE WHITE LIGHT: 2000K candle color light design, provide a leisure lighting scene. 3 phases color temperature changing(2000K->3000K->4000K) by setting control panel.
- I EXCELLENT RGB ATMOSPHERE LIGHT: 16 million RGB colors, 4 color-changing modes or fixed single color light, effective to create romantic atmosphere.
- I RETRO KNOB DIMMING DESIGN: New stepless brightness dimming experience, color changing, setting the light you want through the Rotary Switch.
- I EYE HEALTHY CARE: Flicker free 3% and no glare.
- I MEMORY THE LAST MODE YOU SET: Memory so that it can remember the last mode (the last color or white light either power off or turn off the power button).
- I SET TIMER FOR YOUR CONVENIENCE: Short press the Timer button, the lamp will turn off automatically after 30 minutes.

TECHNICAL DETAILS

Types	Items	Parameter
Electronics	Wattage	5W
	Adapter Input	100-240Vac 50/60Hz
	Adapter Output	5VDC/ 1A
	Current ripple	Flicker free 3%
Light Source	Luminous Flux/ Intensity	450LM@4000K, Red:7.2cd, Green:12cd, Blue: 6.6cd
	CCT	2000K-4000K
	Color Quantity	16 million colors
	CRI	Ra>80, Ra>90@2000K
	LED	2000K White LED:12PCS×0.3W 4000K White LED:12PCS×0.3W RGB LED: 12PCS×0.12W
Environmental requirement	IP Protection	IP20
	Operation Temperature	-20℃~40℃/-4°F~104°F
	Operation Humidity	5RH~90RH
	Storage Temperature	-30℃~80℃/-22°F~176°F
	Storage Humidity	5RH~95RH
Body	Base finish	Silver / Rose Gold
	Control panel finish	Grey/ White
	Weight	1.35lb/ 610g
Lifetime		30,000hours

CERTIFICATION

Types	Standards	Coincidence Check	Status
FCC SDOC	FCC Part15B	Pass	Authorized
CE LVD	EN 60950-1: 2006 + A11: 2009 + A1: 2010 + A12: 2011 + A2: 2013	Pass	/
CE EMC	EN61547/EN61000-3-2/EN61000-3-3	Pass	/



OPERATION

- ON/OFF

Place the lamp on a flat surface. Attach the power adapter to the Type-C port on the lamp and insert the power adapter into a 120VAC household outlet. Short press the Power Button to turn on and off the lamp.

- Select Color Temperature and Adjust Brightness

Short press the Color Temperature Selection button repeatedly to cycle through 2000K->3000K->4000K. Through the Rotary Switch to precisely adjust brightness.

- Select Color-changing Mode and Color

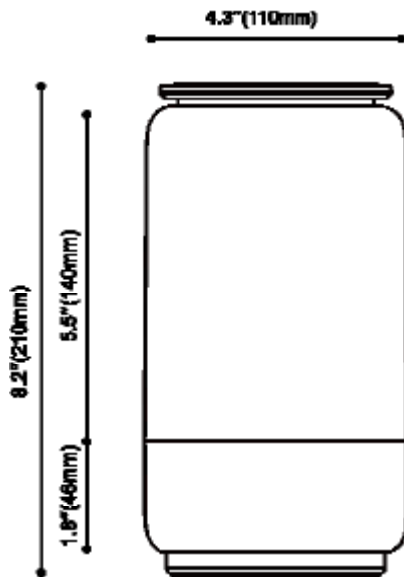
Short press the RGB Selection button repeatedly to cycle through the 4 color-changing modes. Through the Rotary Switch to select the fixed color.

- Set the Timer

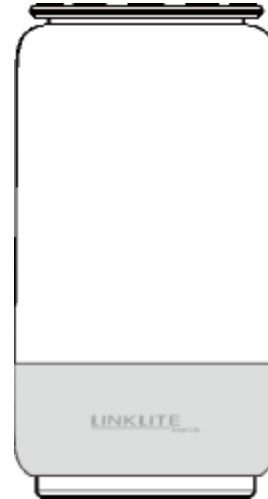
Short press the Timer button, the lamp will turn off automatically after 30 minutes.

NOTE: Changing any setting (brightness, color temperature, color) while the lamp is on will reset the timer.

DIMENSIONS



BRAND



PACKAGE

Inner box size:	132*132*270mm
Outer carton size:	545*280*560mm
PCS per inner carton:	1
PCS per outer carton	16
N.W. per outer carton	11.8 kg
G.W. per outer carton	13.3 kg

LIMITED WARRANTY

2 years limited warranty from original purchase date. To learn more about the Limited Warranty for LINKLITE products, please visit www.hensel-hk.com.